

Aston Club Low Back

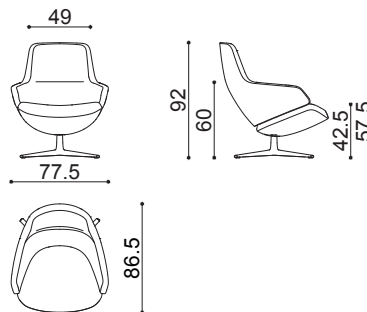
Design by Jean-Marie Massaud, 2021

Art. 2402

Lounge chair on a 4-ways base in polished or powder-coated aluminium with return mechanism. The shell – with a low backrest – is made of polyurethane upholstered with fabric, leather, coated fabric or customer's own material.

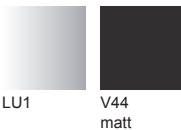


Dimensions *



* File CAD 2D - 3D available for download at www.arper.com

Frame Base



Shell

arper

www.arper.com

info@arper.com

Aston Club Low Back

Design by Jean-Marie Massaud, 2021

SHIPMENT DETAILS

Art.2402

1 pz = 1  - kg 30/ m³ 1

RESISTANCE TEST

- EN 1728:2012 - EN 16139:2013 6.10
- EN 1728:2012 - EN 16139:2013 6.17
- EN 1728:2012 - EN 16139:2013 6.20
- EN 1728:2012 - EN 16139:2013 6.25
- EN 1728:2012 - EN 16139:2013 6.4
- EN 1335-3:2009 7.1
- ANSI/BIFMA X5.4-2020/7
- ANSI/BIFMA X5.4-2020/10
- ANSI/BIFMA X5.4-2020/14
- ANSI/BIFMA X5.4-2020/17
- ANSI/BIFMA X5.4-2020/21
- ANSI-BIFMA X5.4-2020/6
- EN 1728:2012 - EN 16139:2013 6.11
- EN 1728:2012 - EN 16139:2013 6.18
- EN 1728:2012 - EN 16139:2013 6.24
- EN 1728:2012 - EN 16139:2013 6.26
- EN 1728:2012 - EN 16139:2013 6.5
- ANSI/BIFMA X5.4-2020/5
- ANSI/BIFMA X5.4-2020/9
- ANSI/BIFMA X5.4-2020/13
- ANSI/BIFMA X5.4-2020/15
- ANSI/BIFMA X5.4-2020/19
- ANSI/BIFMA X5.4-2020/8
- ANSI-BIFMA X5.1-2017/22

ENVIRONMENTAL CERTIFICATIONS

TECHNICAL SPECIFICATIONS

Art.2402

COL requirement m² 6.78
H 140 cm. COM Meterage m 3.16

FIRE RETARDANT TEST

arper

www.arper.com

info@arper.com